

**Part No:** 806-020

**Schedule 80 PVC & CPVC**

**Elbow**

**Desc:** 2 PVC 90 ELL SOC SCH80

**Part Code:** 080

**Weight(lbs):** 0.606

**Weight(kg):** 0.275

**Weight(gm):** 275

**Size:** 2"

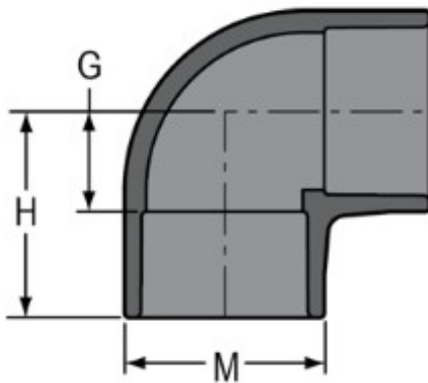
**Color:** GRAY

**Material:** PVC

**Connection** Socket x Socket

**Angle** 90°

**Type** Standard



**G** = 1-13/32

**H** = 2-15/16

**M** = 2-7/8