

**Part No:** 806-025

**Schedule 80 PVC & CPVC**

**Elbow**

**Desc:** 2-1/2 PVC 90 ELL SOC SCH80

**Part Code:** 080

**Weight(lbs):** 1.071

**Weight(kg):** 0.486

**Weight(gm):** 486

**Size:** 2-1/2"

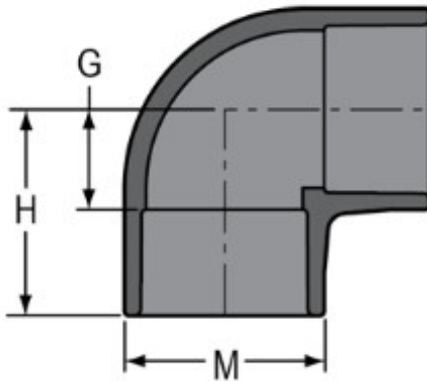
**Color:** GRAY

**Material:** PVC

**Connection** Socket x Socket

**Angle** 90°

**Type** Standard



**G =** 1-5/8

**H =** 3-3/8

**M =** 3-15/32