

Part No: 808-005

Schedule 80 PVC & CPVC

Elbow

Desc: 1/2 PVC 90 ELL FPT SCH80

Part Code: 080

Weight(lbs): 0.088

Weight(kg): 0.04

Weight(gm): 40

Size: 1/2"

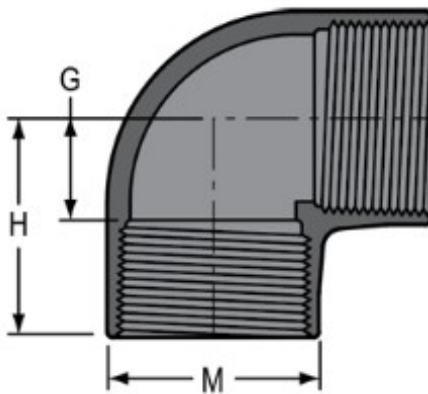
Color: GRAY

Material: PVC

Connection Fipt x Fipt

Angle 90°

Type Standard



G = 1/2

H = 1- 7/32

M = 1- 3/16