

**Part No:** 808-007

**Schedule 80 PVC & CPVC**

**Elbow**

**Desc:** 3/4 PVC 90 ELL FPT SCH80

**Part Code:** 080

**Weight(lbs):** 0.115

**Weight(kg):** 0.052

**Weight(gm):** 52

**Size:** 3/4"

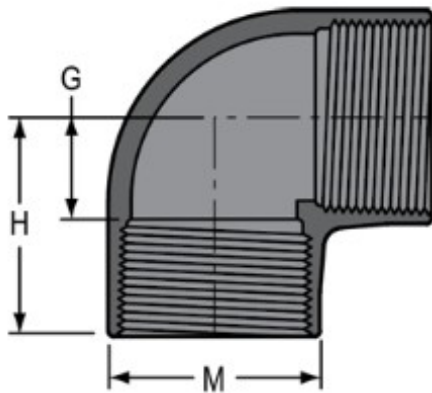
**Color:** GRAY

**Material:** PVC

**Connection** Fipt x Fipt

**Angle** 90°

**Type** Standard



**G** = 5/8

**H** = 1-3/8

**M** = 1-3/8