

Part No: 808-010

Schedule 80 PVC & CPVC

Elbow

Desc: 1 PVC 90 ELL FPT SCH80

Part Code: 080

Weight(lbs): 0.203

Weight(kg): 0.092

Weight(gm): 92

Size: 1"

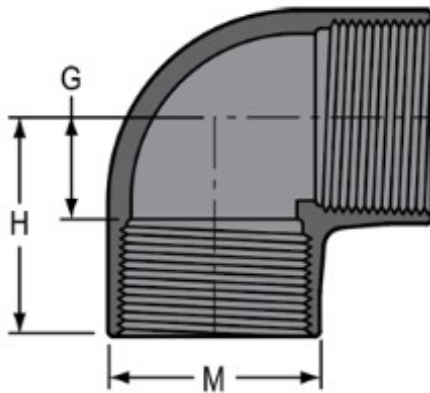
Color: GRAY

Material: PVC

Connection Fipt x Fipt

Angle 90°

Type Standard



G = 11/16

H = 1-9/16

M = 1-23/32