

Part No: 808-015

Schedule 80 PVC & CPVC

Elbow

Desc: 1-1/2 PVC 90 ELL FPT SCH80

Part Code: 080

Weight(lbs): 0.467

Weight(kg): 0.212

Weight(gm): 212

Size: 1-1/2"

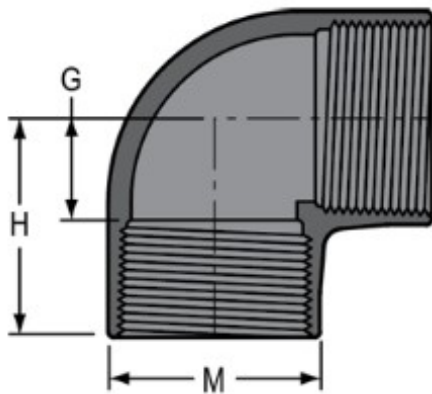
Color: GRAY

Material: PVC

Connection Fipt x Fipt

Angle 90°

Type Standard



G = 1

H = 2-3/32

M = 2-7/16