

Part No: 808-020

Schedule 80 PVC & CPVC

Elbow

Desc: 2 PVC 90 ELL FPT SCH80

Part Code: 080

Weight(lbs): 0.871

Weight(kg): 0.395

Weight(gm): 395

Size: 2"

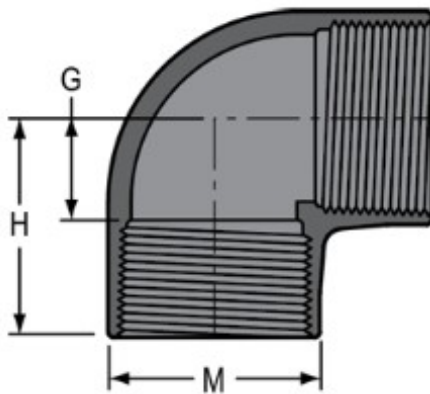
Color: GRAY

Material: PVC

Connection Fipt x Fipt

Angle 90°

Type Standard



G = 1-17/32

H = 2-17/32

M = 3