

**Part No:** 819-005

**Schedule 80 PVC & CPVC**

**Elbow**

**Desc:** 1/2 PVC 45 ELL FPT SCH80

**Part Code:** 080

**Weight(lbs):** 0.068

**Weight(kg):** 0.031

**Weight(gm):** 31

**Size:** 1/2"

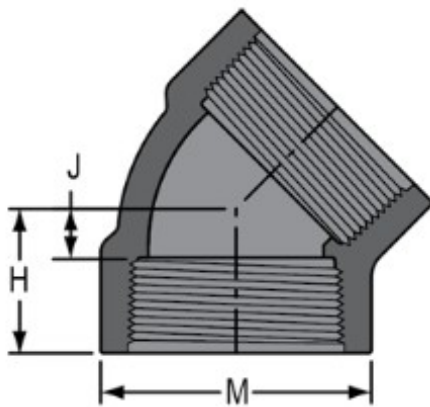
**Color:** GRAY

**Material:** PVC

**Connection** Fipt x Fipt

**Angle** 45°

**Type** Standard



**H =** 31/32

**J =** 1/4

**M =** 1-3/16