

Part No: 819-025

Schedule 80 PVC & CPVC

Elbow

Desc: 2-1/2 PVC 45 ELL FPT SCH80

Part Code: 080

Weight(lbs): 1.089

Weight(kg): 0.494

Weight(gm): 494

Size: 2-1/2"

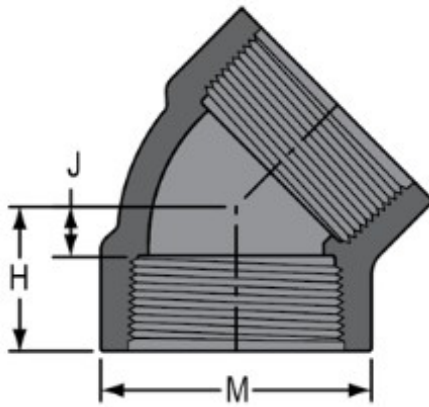
Color: GRAY

Material: PVC

Connection Fipt x Fipt

Angle 45°

Type Standard



H = 2-1/16

J = 1-1/16

M = 3-1/2