

Part No: 819-030

Schedule 80 PVC & CPVC

Elbow

Desc: 3 PVC 45 ELL FPT SCH80

Part Code: 080

Weight(lbs): 1.781

Weight(kg): 0.808

Weight(gm): 808

Size: 3"

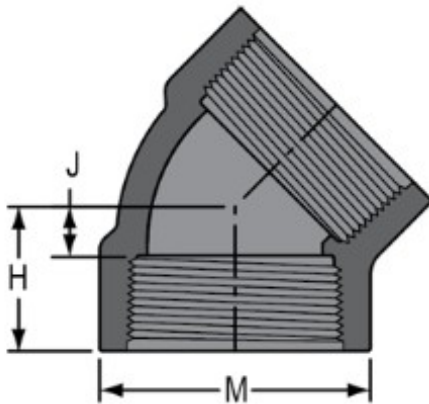
Color: GRAY

Material: PVC

Connection Fipt x Fipt

Angle 45°

Type Standard



H = 2-23/32

J = 1-7/32

M = 4-9/32