

Part No: 829-338

Schedule 80 PVC & CPVC

Coupling

Desc: 3X2 PVC RED COUPLING SOC SCH80

Part Code: 080

Weight(lbs): 0.745

Weight(kg): 0.338

Weight(gm): 338

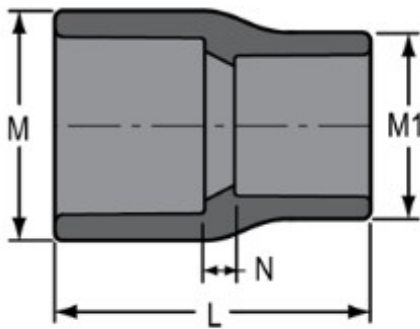
Size: 3"X2"

Color: GRAY

Material: PVC

Connection Socket x Socket

Type Reduction



L = 4

M = 4-5/32

M1 = 2-7/8

N = 19/32