

**Part No:** 829-419

**Schedule 80 PVC & CPVC**

**Coupling**

**Desc:** 4X1-1/2 PVC RED COUPLING SOC SCH80

**Part Code:** 080

**Weight(lbs):** 1.572

**Weight(kg):** 0.713

**Weight(gm):** 713

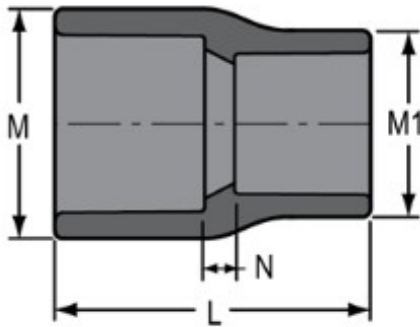
**Size:** 4"X1-1/2"

**Color:** GRAY

**Material:** PVC

**Connection** Socket x Socket

**Type** Reduction



$M1 = 2-29/32$

$N = 2-1/16$

$L = 5-23/32$

$M = 5-9/32$