

Part No: 829-530

Schedule 80 PVC & CPVC

Coupling

Desc: 6X3 PVC RED COUPLING SOC SCH80

Part Code: 080

Weight(lbs): 4.096

Weight(kg): 1.858

Weight(gm): 1858

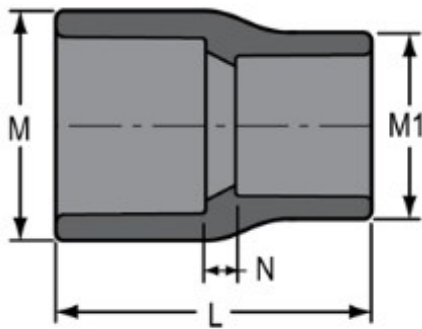
Size: 6"X3"

Color: GRAY

Material: PVC

Connection Socket x Socket

Type Reduction



L = 7

M = 7-9/16

M1 = 5-9/32

N = 2-1/16