

Part No: 829-628

Schedule 80 PVC & CPVC

Coupling

Desc: 10X8 PVC RED COUPLING SOC SCH80

Part Code: 081

Weight(lbs): 11.31

Weight(kg): 5.13

Weight(gm): 5130

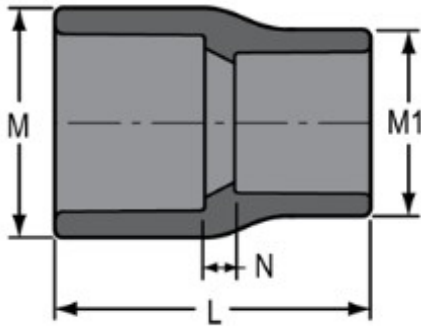
Size: 10"X8"

Color: GRAY

Material: PVC

Connection Socket x Socket

Type Reduction



L = 10- 5/8

M = 12-1/32

M1 = 9- 3/4

N = 1-5/8