

**Part No:** 854-012

**Flanges & Cut-In Kit**

**Molded**

**Desc:** 1-1/4 PVC VAN STONE FLG SOC CL150 150PSI

**Part Code:** 080

**Weight(lbs):** 0.432

**Weight(kg):** 0.196

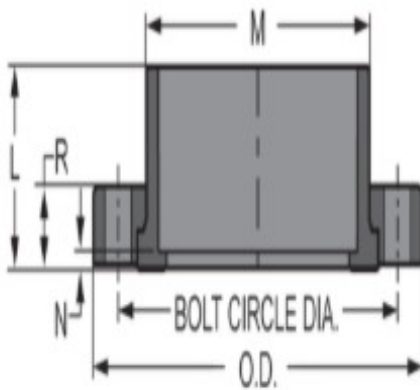
**Weight(gm):** 196

**Size:** 1-1/4"

**Color:** GRAY

**Material:** PVC

**Connection** Socket (Van Stone 2 Piece)



**L** = 1-3/8

**Bolt Size** = 1/2

**M** = 2-1/8

**N** = 1/8

**O.D.** = 4-5/8

**R** = 23/32

**No of Bolts** = 4

**Bolt Circle Dia.** = 3-1/2