

Part No: 854-015

Flanges & Cut-In Kit

Molded

Desc: 1-1/2 PVC VAN STONE FLG SOC CL150 150PSI

Part Code: 080

Weight(lbs): 0.558

Weight(kg): 0.253

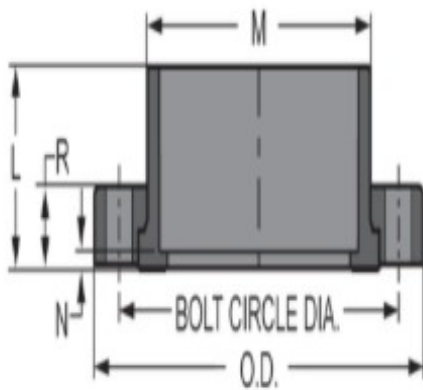
Weight(gm): 253

Size: 1-1/2"

Color: GRAY

Material: PVC

Connection Socket (Van Stone 2 Piece)



L = 1-1/2

M = 2- 7/16

N = 1/8

O.D. = 5

R = 25/32

No of Bolts = 4

Bolt Circle Dis. = 3- 7/8

Bolt Size = 1/2