

**Part No:** 854-030

**Flanges & Cut-In Kit**

**Molded**

**Desc:** 3 PVC VAN STONE FLANGE SOC CL150 150PSI

**Part Code:** 080

**Weight(lbs):** 1.728

**Weight(kg):** 0.784

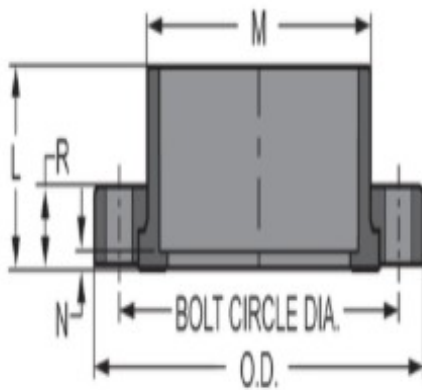
**Weight(gm):** 784

**Size:** 3"

**Color:** GRAY

**Material:** PVC

**Connection** Socket (Van Stone 2 Piece)



**L =** 2-1/8

**M =** 4-1/4

**N =** 1/4

**O.D. =** 7-1/2

**R =** 1-3/8

**No of Bolts =** 4

**Bolt =** 6  
**Circle Dia.**

**Bolt Size =** 5/8