

Part No: 854-050

Flanges & Cut-In Kit

Molded

Desc: 5 PVC VAN STONE FLANGE SOC CL150

Part Code: 080

Weight(lbs): 3.296

Weight(kg): 1.495

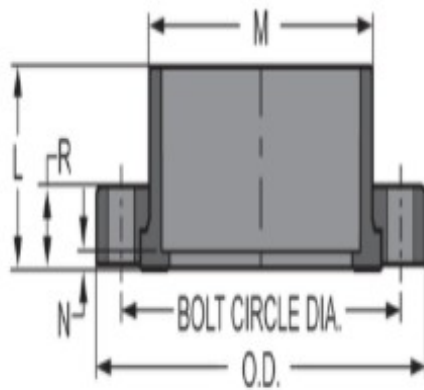
Weight(gm): 1495

Size: 5"

Color: GRAY

Material: PVC

Connection Socket (Van Stone 2 Piece)



L = 2-31/32

M = 6-9/32

N = 5/16

O.D. = 10- 1/8

R = 1-1/4

No of Bolts = 8

Bolt Circle Dia. = 8- 1/2

Bolt Size = 3/4