

Part No: 854-060

Flanges & Cut-In Kit

Molded

Desc: 6 PVC VAN STONE FLANGE SOC CL150

Part Code: 080

Weight(lbs): 4.37

Weight(kg): 1.982

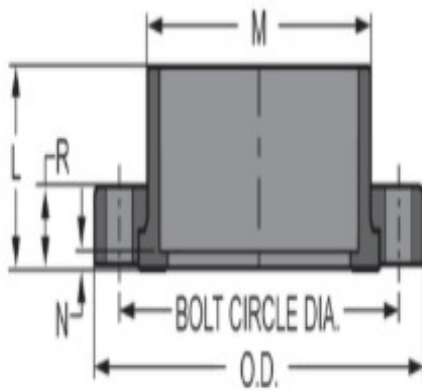
Weight(gm): 1982

Size: 6"

Color: GRAY

Material: PVC

Connection Socket (Van Stone 2 Piece)



N = 5/16

O.D. = 11

R = 1-3/8

No of Bolts = 8

Bolt Circle Dia. = 9- 1/2

Bolt Size = 3/4

L = 3-3/8

M = 7-9/16