

Part No: 854-100

Flanges & Cut-In Kit

Molded

Desc: 10 PVC VAN STONE FLANGE SOC CL150

Part Code: 081

Weight(lbs): 11.696

Weight(kg): 5.305

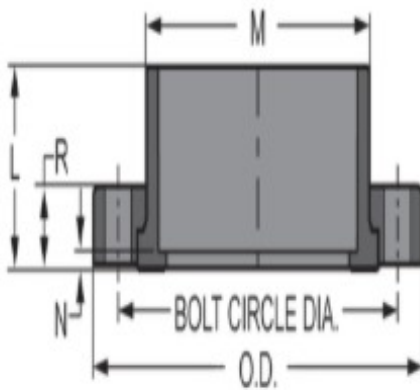
Weight(gm): 5305

Size: 10"

Color: GRAY

Material: PVC

Connection Socket (Van Stone 2 Piece)



N = 21/32

O.D. = 16-1/16

R = 1-25/32

No of Bolts = 12

Bolt Circle Dia. = 14- 1/4

Bolt Size = 7/8

L = 5-23/32

M = 11- 3/4