

Part No: 854-120

Flanges & Cut-In Kit

Molded

Desc: 12 PVC VAN STONE FLANGE SOC CL150

Part Code: 081

Weight(lbs): 17.672

Weight(kg): 8.016

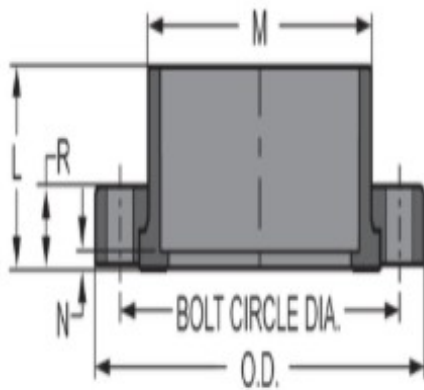
Weight(gm): 8016

Size: 12"

Color: GRAY

Material: PVC

Connection Socket (Van Stone 2 Piece)



L = 6-19/32

M = 13- 3/4

N = 5/8

O.D. = 19

R = 1-13/16

No of Bolts = 12

Bolt = 17
Circle Dia.

Bolt Size = 7/8